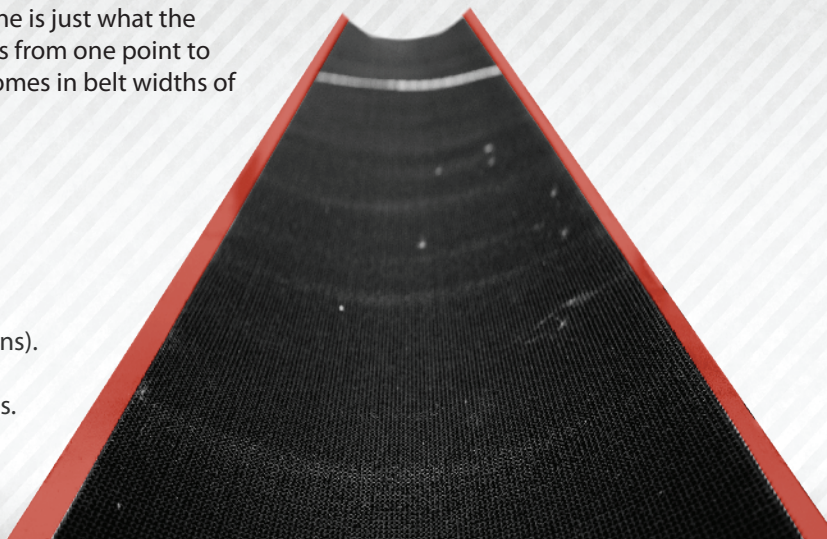


D-SERIES CONVEYOR

The movement of materials along a horizontal to shallow plane is just what the D-Series was designed for. If you need to move bulk materials from one point to the other, the D-Series will get the job done. The D-Series comes in belt widths of 16, 20, and 24 inches.

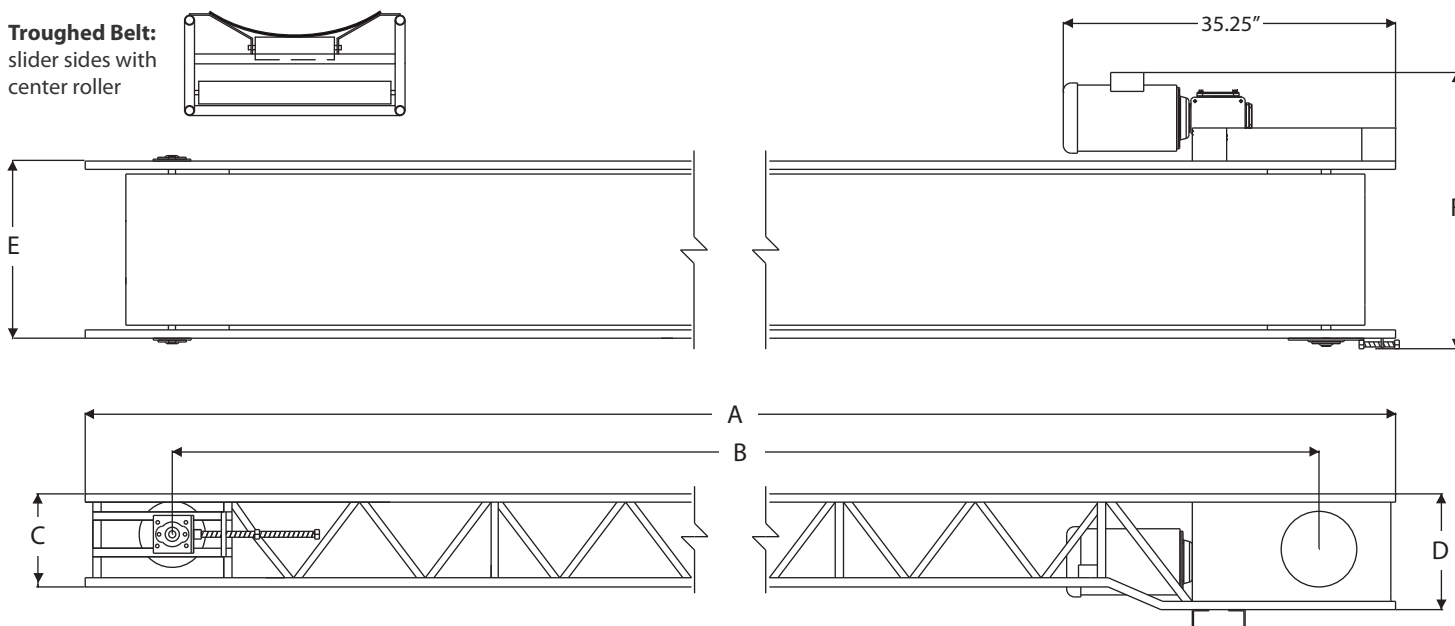
SPECIFICATIONS

- BED:** Slider bed with center rollers, 15 degree trough.
- FRAME:** 7/8" or 1-1/4" OD steel tubing material.
- BELT:** 16", 20" or 24" wide - 2 ply rough-top rubber
- MOTOR:** Electric, gas, or hydraulic motor available (see options).
- DRIVE:** V-belt, or gearbox drive.
- BEARINGS:** Sealed, pre-lubricated, self-aligning, ball bearings.
- DRIVE PULLEY:** 8" in diameter. Open wing pulley.
- TAIL PULLEY:** 7" in diameter. Open wing pulley.
- BELT SPEED:** Constant 130 FPM. Other speeds available.



REDLINE SYSTEMS, INC D-SERIES

Troughed Belt:
slider sides with center roller



MOTOR MOUNT LOCATION

- TYPE E:** Side mount at discharge end of conveyor.
- TYPE H:** Side mount at infeed end of conveyor.
- TYPE B:** Underside mount at discharge end of conveyor.
- TYPE G:** Underside mount at infeed end of conveyor.

OPTIONAL BELTS

SMOOTH-TOP RUBBER

Rubber belt accommodates wetter materials that require belt washdown, Cleaning or wiping

SMOOTH-TOP PVC

PVC Belting can be used in harsher environments such as: cold weather, hot weather, and chemicals.

D-SERIES CONVEYOR DIMENSIONS					BELT WIDTH			BELT WIDTH		
					16"	20"	24"	16"	20"	24"
MODEL	A	B	C	D	E	E	E	F	F	F
D-3-11	11'	9'-8"	9.75"	12"	18.75"	22.75"	27.5"	29.25"	33.25"	38.5"
D-3-16	16'	14'-8"	9.75"	12"	18.75"	22.75"	27.5"	29.25"	33.25"	38.5"
D-3-21	21'	19'-8"	9.75"	12"	18.75"	23.5"	27.5"	29.25"	34.5"	38.5"
D-2-26	26'	24'-8"	10.5"	13.25"	19.5"	23.5"	27.5"	30.5"	34.5"	38.5"
D-2-31	31'	29'-8"	10.5"	13.25"	19.5"	23.5"	27.5"	30.5"	34.5"	38.5"
D-2-42	42'	40'-8"	10.5"	13.25"	19.5"	23.5"	27.5"	30.5"	34.5"	38.5"
D-2-52	52'	50'-8"	10.5"	13.25"	19.5"	23.5"	27.5"	30.5"	34.5"	38.5"

Special Conveyor widths and lengths available on request.

OPTIONAL EQUIPMENT

FLOOR SUPPORTS

PORTABLE UNDERCARRIAGE

PORTABLE TOW DOLLY & HITCH

CASTER WHEELS

LOADING HOPPERS

BELT COVERS

ELECTRIC CONTROLS

SKIRTED SIDES

VARIABLE BELT SPEED

GAS ENGINE

HYDRAULICS

PNEUMATIC MOTOR

Redline

SYSTEMS INC

560 SOUTH MAIN STREET
CLEARFIELD, UT 84015
PH: 800.453.2447